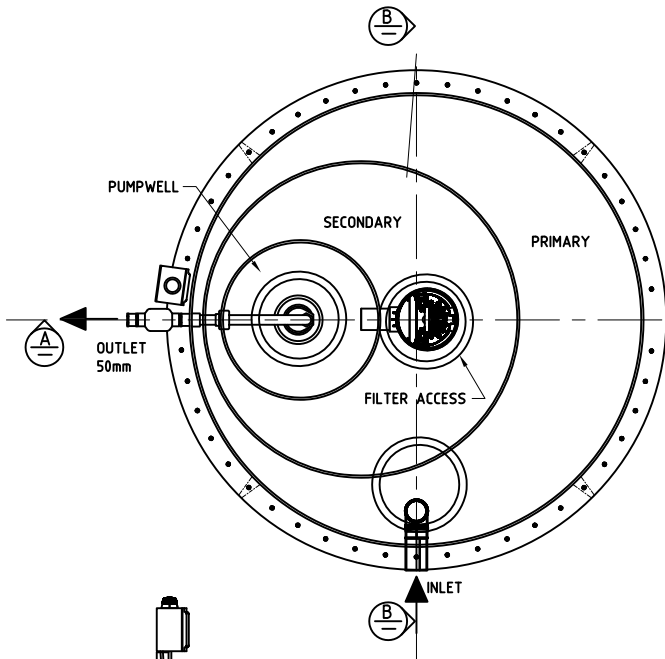
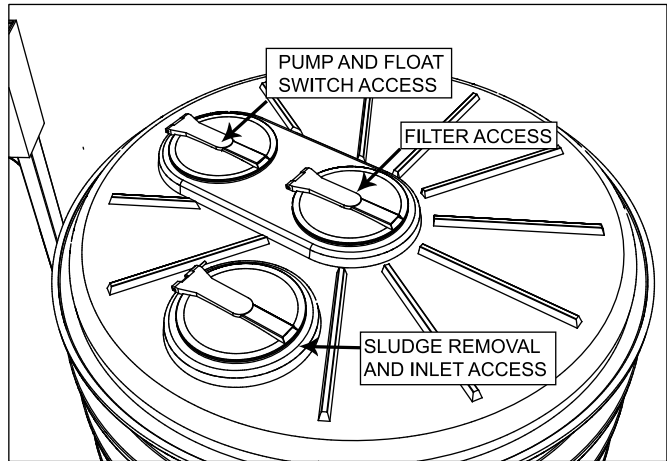




Waste Water Services

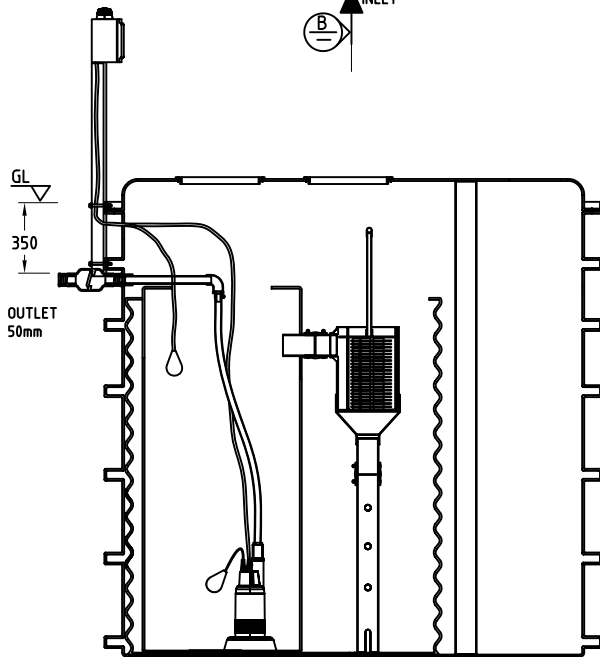
ANAEROBIC RECYCLING UNIT



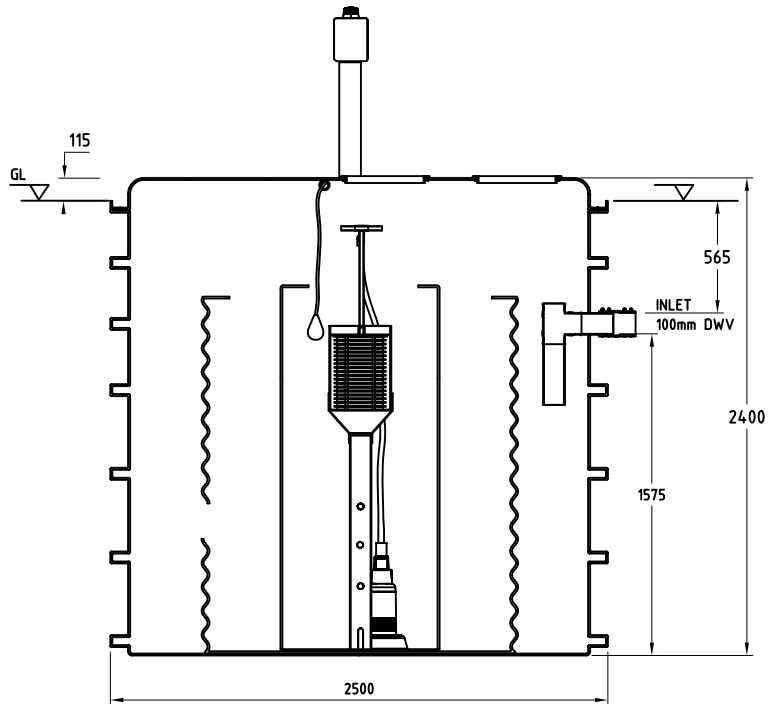
SPECIFICATIONS
 MATERIAL: LINEAR LOW DENSITY POLYETHYLENE
 PUMP:

INLET: 100mm PVC SEWER
 OUTLET: 50mm BSP THREADED
 DISPOSAL: LEACH DRAINS OR SUBSURFACE IRRIGATION
 WEIGHT: 350Kg

TANK TO AS/NZS 1546.1:2008 AND 'THE TREATMENT OF SEWAGE AND DISPOSAL OF EFFLUENT AND LIQUID WASTE REGULATIONS' - APPROVED BY THE HEALTH DEPARTMENT OF W.A.



SECTION A



SECTION B